



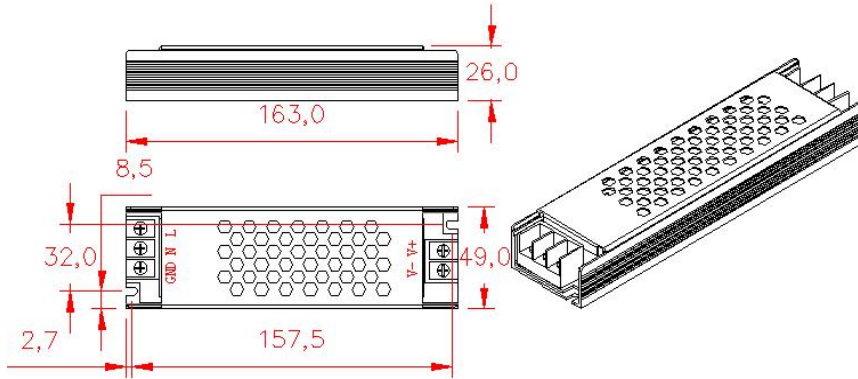
FEATURES

- 100% full load burn-in test
- Universal AC input
- Small size and high efficiency
- Conform to EMC EN5502 GB9254
- Built-in EMI filter with tiny ripple
- Comply with the safety standards UL60950 GB4943 EN60850
- Protection: short circuit/over Voltage/over/load temperature

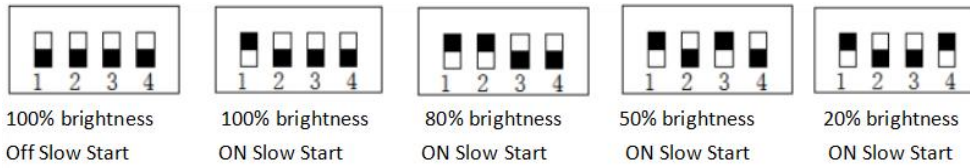
MODEL		24V 250W	12V 250W
OUTPUT	DC VOLTAGE	24V	12V
		10.42A	20.83A
	CURRENT RANGE	0~10A	0~20A
	RATED POWER	250W	250W
	RIPPLE& NOISE (MAX.)	≤240mVp-p	≤1200mVp-p
	VOLTAGE TOLERANCE	±5%	
	SETUP , RISE TIME	1500ms, 50ms/230VAC at full load	
	HOLD UP TIME(Typ.)	20ms/230VAC at full load	
INPUT	VOLTAGE RANGE	170~264VAC	
	FREQUENCY RANGE	47~63Hz	
	POWER FACTOR(Typ.)	PF>0.6/220VAC	
	EFFICIENCY(Typ.)	86%	85%
	AC CURRENT(Typ.)	2.6A/115V~1.25A/230V	
	INRUSH CURRENT(Typ.)	30A/40AC230V	
	SHORT CIRCUIT	protection type: recovers automatically after fault condition is removed	
PROTECTION	OVER LOAD	105~150% hiccup mode , auto-recovery	
	OVER TEMP	≥85°C start protection, recovers automatically	
	DC ADJ. RANGE	115%~135% Cut off the output , auto-recovery	
ENVIRONMENT	WORKING TEMP	-20°C~ +60 °C	
	WORKING HUMIDITY	20%~90%RH	
	STORAGE TEMP , HUMIDITY	-40°C~+85 °C,10%~90%RH	
SAFETY&EMC	SAFETY STANDARDS	CE,ROHS	
	WITHSTAND VOLTAGE	I/P-O/P:1.5KVAC I/P-FG:1.5KVAC O/P-FG:0.5KVAC	
	EMC TESTING STANDARD	EN 55032:2015+A11:2020 EN IEC 61000-3-2:2019+A1:2021 EN 61000-3-3:2013+A2:2021 EN55035:2017+A11:2020	

Mechanical Specification

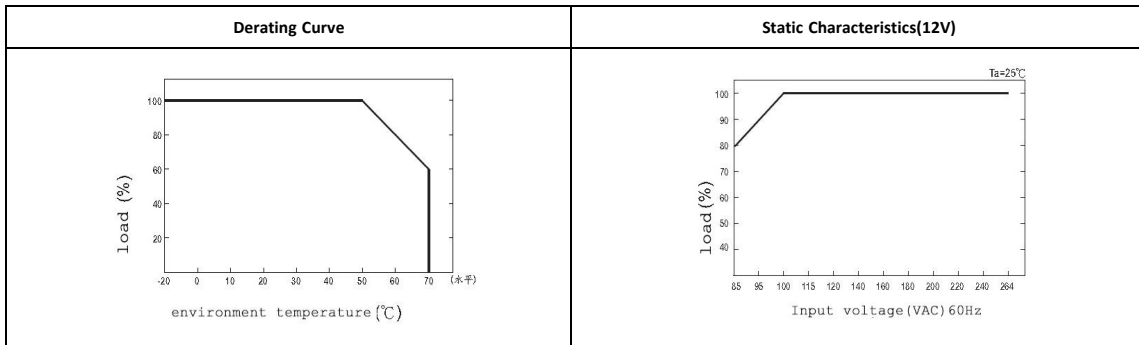
Dimension: 163*49*26mm	Carton size: 355*290*175 mm
Carton Quantity: 50PCS/Carton	Weight: 0.3kg/PCS



DIP Switch Usage Guidelines



Remark: 1# Slow start switch 2# 3# 4# Brightness adjustment



REMARKS:

- 1, The above mentioned data were measured at 230VAC input and 25°C.
- 2, Ripple & noise are measured at 20MHz of bandwidth by using a 12" twisted pair-wire terminated with a 0.1uf & 47uf parallel capacitor.
- 3, Cut the AC input before checking any mal-phenomenons.
- 4, Make sure the INPUT&OUPUT were in right situation before connected to power supply.
- 5, Be ware of high power pressure may caused by short circuit when installing metal casing products.
- 6, Please contact us at info@smpower.com for further solution if any unforeable problem happens.