



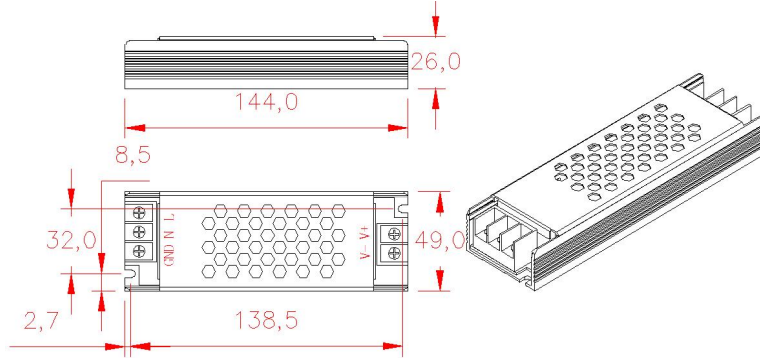
**FEATURES**

- 100% full load burn-in test
- Universal AC input
- Small size and high efficiency
- Conform to EMC EN5502 GB9254
- Built-in EMI filter with tiny ripple
- Comply with the safety standards UL60950 GB4943 EN60850
- Protection: short circuit/over Voltage/over/load temperature

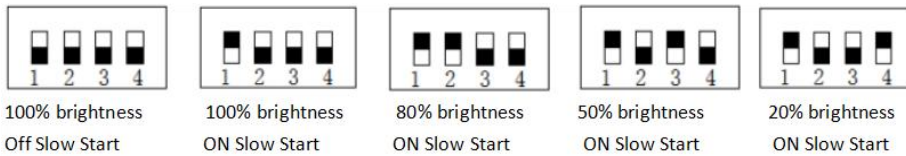
| MODEL       |                         | 24V 150W  | 12V 150W  |
|-------------|-------------------------|---|-----------|
| OUTPUT      | DC VOLTAGE              | 24V   | 12V       |
|             | RATED CURRENT           | 6.25A   | 12.5A     |
|             | CURRENT RANGE           | 0~6.25A   | 0~12.5A   |
|             | RATED POWER             | 150W  | 150W      |
|             | RIPPLE& NOISE (MAX.)    | ≤240mVp-p   | ≤120mVp-p |
|             | VOLTAGE TOLERANCE       | ±5%   |           |
|             | SETUP , RISE TIME       | 1500ms,50ms at full load  |           |
|             | HOLD UP TIME(Typ.)      | 20ms/230VAC at full load  |           |
| INPUT       | VOLTAGE RANGE           | 85 ~ 264VAC   |           |
|             | FREQUENCY RANGE         | 47~63Hz   |           |
|             | POWER FACTOR(Typ.)      | PF>0.6/220VAC   |           |
|             | EFFICIENCY(Typ.)        | 86%   | 85%       |
|             | AC CURRENT(Typ.)        | 1.82A/115V~0.83A/230V   |           |
|             | INRUSH CURRENT(Typ.)    | COLD START 20A/40AC230V   |           |
|             | SHORT CIRCUIT           | protection type: recovers automatically after fault condition is removed                                      |           |
| PROTECTION  | OVER LOAD               | 105~150% hiccup mode , auto-recovery  |           |
|             | OVER TEMP               | ≥85°C start protection, recovers automatically  |           |
|             | DC ADJ. RANGE           | 115%~135% Cut off the output , auto-recovery  |           |
| ENVIRONMENT | WORKING TEMP            | -20°C~ +60°C  |           |
|             | WORKING HUMIDITY        | 20%~90%RH   |           |
|             | STORAGE TEMP , HUMIDITY | -40°C~+85°C,10%~90%RH   |           |
| SAFETY&EMC  | SAFETY STANDARDS        | CE,ROHS   |           |
|             | WITHSTAND VOLTAGE       | I/P-O/P:1.5KVAC I/P-FG:1.5KVAC O/P-FG:0.5KVAC   |           |
|             | EMC TESTING STANDARD    | EN 55032:2015+A11:2020<br>EN IEC 61000-3-2:2019+A1:2021<br>EN 61000-3-3:2013+A2:2021<br>EN55035:2017+A11:2020 |           |

**Mechanical Specification**

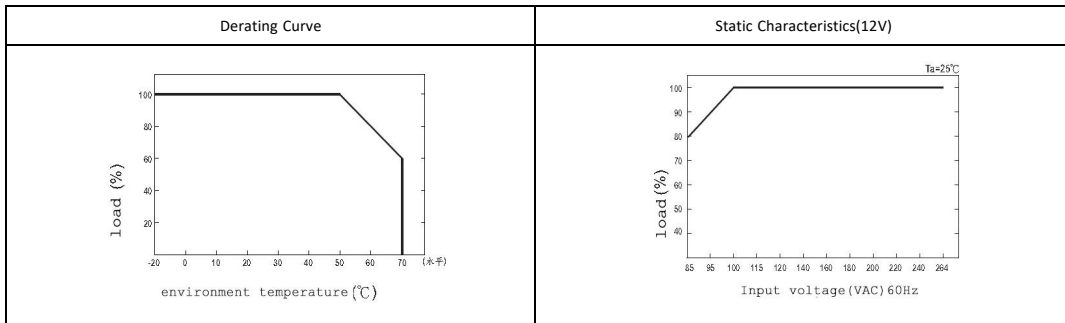
|                               |                             |
|-------------------------------|-----------------------------|
| Dimension: 144*49*26mm        | Carton size: 310*290*175 mm |
| Carton Quantity: 50PCS/Carton | Weight: 0.25Kg/PCS          |



**DIP Switch Usage Guidelines**



Remark: 1# Slow start switch 2# 3# 4# Brightness adjustment



**REMARKS:**

- 1, The above mentioned data were measured at 230VAC input and 25°C.
- 2, Ripple & noise are measured at 20MHz of bandwidth by using a 12" twisted pair-wire terminated with a 0.1uf & 47uf parallel capacitor.
- 3, Cut the AC input before checking any mal-phenomenons.
- 4, Make sure the INPUT&OUPUT were in right situation before connected to power supply.
- 5, Be ware of high power pressure may caused by short circuit when installing metal casing products.
- 6, Please contact us at [info@smpspower.com](mailto:info@smpspower.com) for further solution if any unforeable problem happens.

Tel: 086 755 2306 0905

Fax: 086 755 2304 1269

Website: [www.smpspower.com](http://www.smpspower.com)

Add: 5th Floor, B3 Building, Huafeng Shiji Industrial park, Hangcheng Road, Xixiang, Bao'an district, Shenzhen P.R.C.